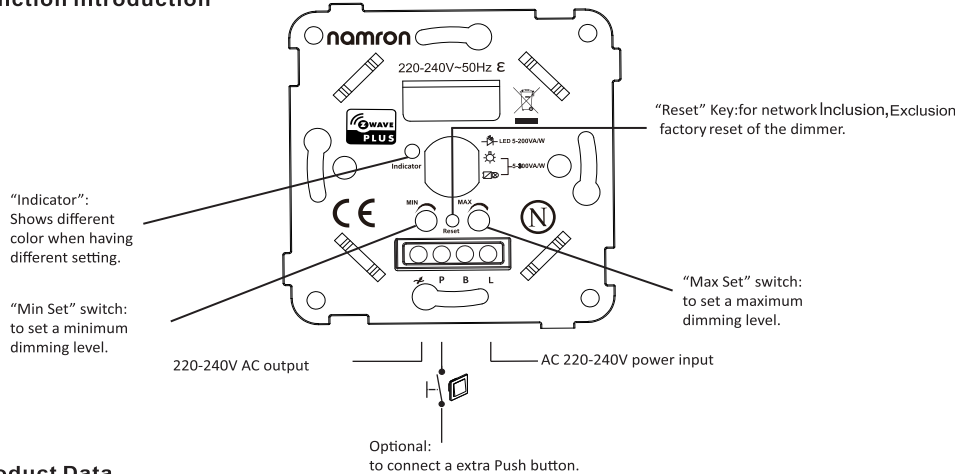


NAMRON Z-WAVE DIMMER 300W



Important: Read All Instructions Prior to Installation

Function introduction



Product Data

| | |
|-----------------------|-----------------|
| Z-Wave Frequency | 868.42 MHz (EU) |
| Input Voltage | AC 220-240V |
| Output Voltage | AC 220-240V |
| Output Current | 1.6A max. |
| Operating temperature | 0 to 40°C |
| Relative humidity | 8% to 80% |
| Dimensions | 84*84* 55.56mm |

Compatible Load Types

| Load Symbol | Load Type | Maximum Load | Remarks |
|-------------|---|--------------|---|
| | Dimmable LED lamps | 200W | Due to variety of LED lamp designs, maximum number of LED lamps is further dependent on power factor result when connected to dimmer. |
| | Dimmable LED drivers | 200W | Maximum permitted number of drivers is 200W divided by driver nameplate power rating. |
| | Incandescent lighting, HV Halogen lamps | 300W | |
| | Low voltage halogen lighting with electronic transformers | 300W | |

Safety & Warnings

- DO NOT install with power applied to device.
- DO NOT expose the device to moisture.
- DO NOT open the dimmer in case any damages that out of repair.

Product Description

The Dimmer controller is a switch multilevel device based on Z-wave enhanced 232 slave library of V6.81.03, and it can be easy configuration, operate and can make traditional LED dimmable lighting to be intelligent control.

This Dimmer integrated Z-wave communication module to connect with Z-wave gateway.

The Dimmer controller can be included and operated in any Z-wave network with other Z-wave certified devices from other manufacturers. All non-battery operated nodes within the network will act as repeaters regardless of vendor to increase reliability of the network.

Meanwhile this controller is a security enable Z-wave Plus Product (S0,S2) that is able to use encrypted Z-wave plus messages to communicate to other security enable Z-wave Plus products which means a security enabled controller is needed for taking full advantage of all functionality. It also supports the OVER THE AIR (OTA) feature for the product's firmware upgrade.

If require the dimmer controller to be a security device that use secure/encrypted message to communicate in a z-wave network, then a security enabled Z-wave controller is needed.

ATTENTION: Prior to the assembly of the product, the voltage network has to be switched OFF and ensured against re-switching.

Smart Start Inclusion

Smart Start enabled products can be added into a Z-wave network by scanning the z-wave QR code present on the product with a controller providing Smart Start inclusion. No further action is required and the smart start product will be added automatically within 10 minutes of being switched on in the network vicinity.

- Add the dimmer controller DSK into the primary controller Smart Start Provisioning list. (If your controller does not support Smart Start inclusion, please proceed inclusion manually)
- Power cycle once for dimmer controller and the dimmer controller will send "Explorer Auto Inclusion" frame to start Smart Start Inclusion.
- Wait a moment, the dimmer controller should be added to the controller.

Note: The dimmer controller will Start SmartStart Inclusion when it is removed from a Z-wave network. The Dimmer has a DSK string, you can key in first five digit to increment smart start process, or you can scan QR code. The QR code can be found on the Dimmer controller or in the box.
Ex: 65286-19008-32952-20593-44872-18102-41266-46651

Inclusion (adding to a Z-Wave network)

- Set primary controller/gateway into inclusion mode (Please refer to your primary controllers manual on how to turn your controller into inclusion).
- Power on the in-wall dimmer.
- Triple Press the reset button on the dimmer, it will set the dimmer into inclusion mode. The purple indicator light will stay solid on for 10 seconds to indicate successful inclusion.

Exclusion (removing from a Z-Wave network)

There are two exclusion methods:

method 1: Exclusion from the primary controller/gateway as follows:

- Set the primary controller/gateway into exclusion mode (Please refer to your primary controllers manual on how to set your controller into exclusion).
- Triple press the reset button, the dimmer will be set to exclusion mode, and waiting to be excluded, then the dimmer will be excluded from the network.

Method 2: Factory reset the dimmer will force it to be excluded from a network. (Please refer to the part "Factory Reset" of this manual)

Note: Factory reset is not recommended for exclusion, please use this procedure only if the primary controller/gateway is missing or otherwise inoperable.

Factory Reset

Press and hold down the reset button for over 5 seconds, the dimmer will be reset to factory defaults.

Association

Z-Wave devices control other Z-Wave devices. The relationship between one device controlling another device is called association. In order to control a different device, the controlling device needs to maintain a list of devices that will receive controlling commands. These lists are called association groups and they are always

| Association Groups | Group Name | Max Nodes | Description |
|--------------------|-------------------|-----------|--|
| Group 1 | Lifeline | 5 | The ASSIC of Lifeline: 4C 69 66 65 6C 69 6E 65 1. When press and hold down "Reset" button over 5s to reset the dimmer send "Device Reset Locally Notification CC" to associated devices of this group to report factory reset information. 2. When load state changes send "Switch Multilevel Report CC" to associated devices of this group. |
| Group 2 | Basic Set | 5 | Basic Set: 42 61 73 69 63 20 53 65 74 1. Short press "Knob" turn on the dimmer Sends Basic Set (0XFF) to associated devices. 2. Short press "Knob" turn off the dimmer Sends Basic Set (0X00) to associated devices. |
| Group 3 | Switch Multilevel | 5 | Switch Multilevel: 53 77 69 74 63 68 20 4D 75 6C 74 69 6C 65 76 65 6C 1. "Turn knob to the left" sends Switch Multilevel Set (to keep associated devices in sync with this device) to associated devices. 2. "Turn knob to the right" Sends Switch Multilevel Set (to keep associated devices in sync with this device) to associated devices. |
| Group 4 | External Button | 5 | External Button: 45 78 74 65 72 6E 61 6C 20 42 75 74 74 6F 6E 1. External Button hold send Switch Multilevel Start Level Change (Switchover dimmer Up/Down) 2. External Button release send Switch Multilevel Stop Level Change. |

Set and unset associations:

(Note: All association information will be cleared automatically once the dimmer is excluded from a network.)

Set association by operating primary controller/gateway to send packets to the dimmer:

The primary controller/gateway sends packets to the dimmer using "Command Class ASSOCIATION"

Technical Data

| | |
|------------------------|---|
| Wireless Range | up to 100 m outside, on average up to 40 m inside buildings |
| SDK | 6.81.03 |
| Explorer Frame Support | Yes |
| Device Type | Light Dimmer Switch |
| Generic Device Class | GENERIC_TYPE_SWITCH_MULTILEVEL |
| Specific Device Class | SPECIFIC_TYPE_POWER_SWITCH_MULTILEVEL |
| Role Type | Always On Slave (AOS) |
| Routing | Yes |

SUPPORTED COMMAND CLASS

The function of the Dimmer as a security and Non-security device is identical.

When a node includes into a S0 or S2 Z-wave network, the node supports S0 or S2 unauthenticated class, S2 authenticated and so does the supported CCs.

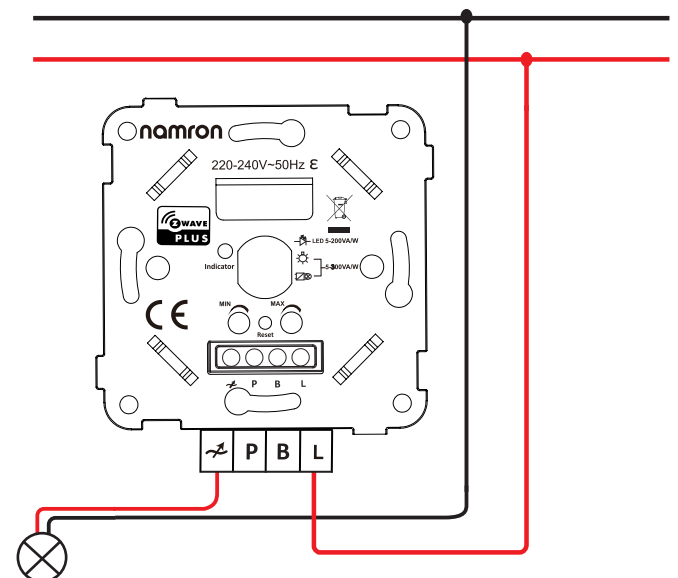
| Node Info | | Security Command Supported Report | |
|---------------------------------|----|-------------------------------------|----|
| COMMAND_CLASS_ZWAVEPLUS_INFO | V2 | COMMAND_CLASS_MANUFACTURER_SPECIFIC | V2 |
| COMMAND_CLASS_TRANSPORT_SERVICE | V2 | COMMAND_CLASS_VERSION | V2 |
| COMMAND_CLASS_SECURITY | V1 | COMMAND_CLASS_SWITCH_MULTILEVEL | V4 |
| COMMAND_CLASS_SECURITY_2 | V1 | COMMAND_CLASS_METER | V3 |
| COMMAND_CLASS_SUPERVISION | V1 | COMMAND_CLASS_CONFIGURATION | V2 |
| | | COMMAND_CLASS_ASSOCIATION_GRP_INFO | V3 |
| | | COMMAND_CLASS_ASSOCIATION | V2 |
| | | COMMAND_CLASS_FIRMWARE_UPDATE_MD | V4 |
| | | COMMAND_CLASS_POWERLEVEL | V1 |
| | | COMMAND_CLASS_DEVICE_RESET_LOCALLY | V1 |

Configuration Command Class

| Parameter | Size | Description | Default Value |
|-----------|------|--|---------------|
| 1 | 1 | State After Power Restored: The state the switch should return to once power is restored after power failure. 0 - off 1 - on 2 - Returns to level before Power Outage | 00 |
| 2 | 1 | Notification when load status change: The Dimmer will send notification to associated device(Group Lifeline)when status of Dimmer load is changed. 0 - The function is disabled. 1- Send Switch Multilevel Report. | 01 |
| 3 | 1 | Default dimming speed,unit is second. Valid Value:0-100 0 - Instantly. 1- Fast. ... 100 - Slow. | 05 |
| 5 | 1 | Enable or Disable external switch to pair network. 0 - Disable. 1- Enable. | 0 |
| 6 | 1 | Setting dimming way. 0- Linear dimming. 1- Logarithmic dimming. | 0 |
| 7 | 1 | Setting default brightness when turn on the dimmer from off status Setting of 0 means that the dimmer will use parameter 1. Valid value: 0-99 | 0 |
| 8 | 1 | Setting delay time when turn off the load,unit is second. Valid value: 0-60 | 0 |

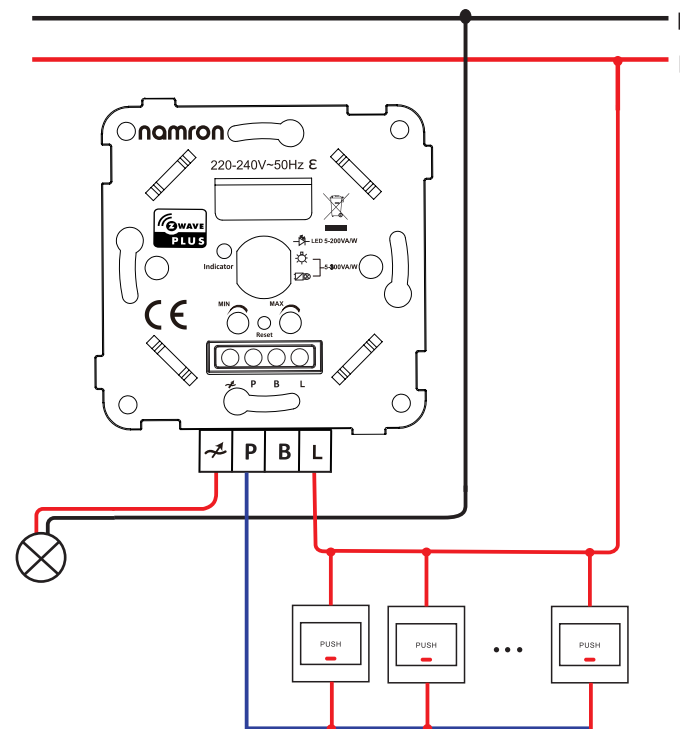
10. Wiring diagram

One-way wiring connection



Multiway master&Slave wiring connection

Once connected with a push switch, click the push switch to switch ON/OFF, press and hold down it to increase/decrease light intensity.



Importer:
Namron AS
Nedre kalbakkvei 88B
1081 Oslo
Norway

Made in China