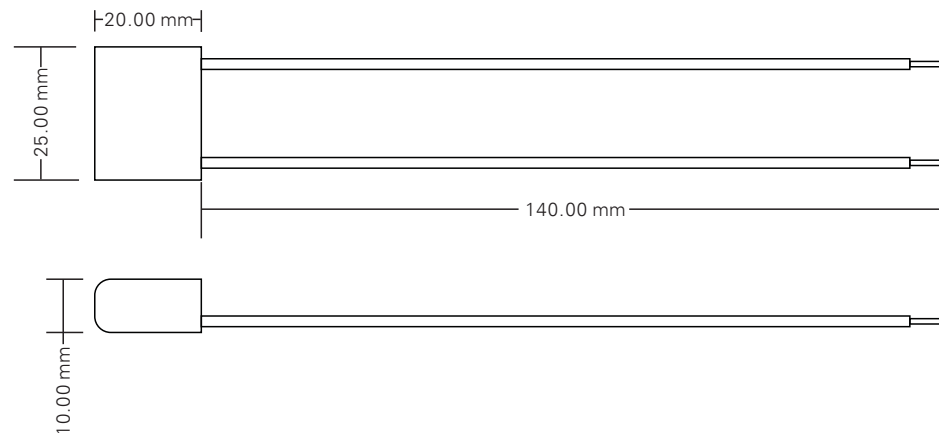




Important: Read All Instructions Prior to Installation

Product Data

Power supply	AC100-240V, 50/60Hz
Power consumption	< 1.4W
Operating temperature	0 to 40°C
Relative humidity	8% to 80%
Dimensions	25x20x10mm



Safety & Warnings

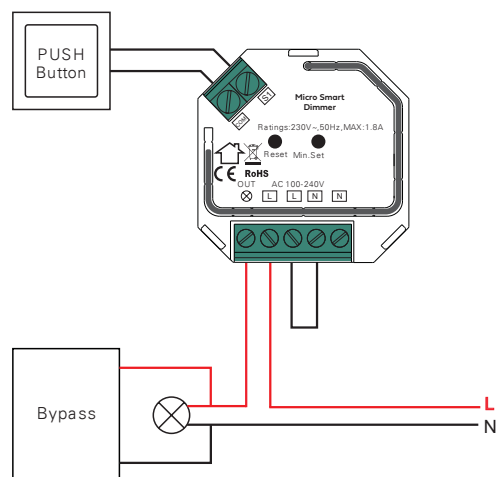
- DO NOT install with power applied to device.
- DO NOT expose the device to moisture.

Product Description

The Bypass is a device designed to work with 2-wire dimmer or switch with no neutral wire, to be used with LED bulbs or energy saving compact fluorescent lamps. The Bypass prevents LEDs from flickering and turned off compact fluorescent lamps from glowing.

In 2-wire connection the Bypass reduces the minimum power of load required by the dimmer or switch for correct operation. The Bypass provides powering of the dimmer or switch in case of controlling low loads.

Wiring Diagram



Note: Please follow the detailed wiring diagram of corresponding 2-wire dimmer or switch.

Importer:
 Namron AS
 Nedre kalbakkevei 88B
 1081 Oslo
 Norway

Made in China