

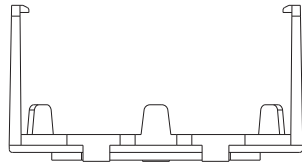
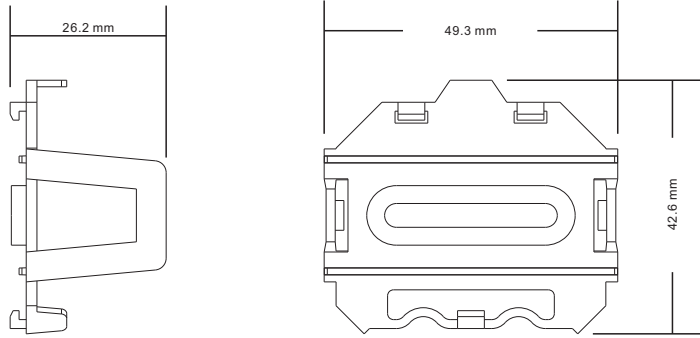
# 35mm DIN Rail Mounting Clip

7030001

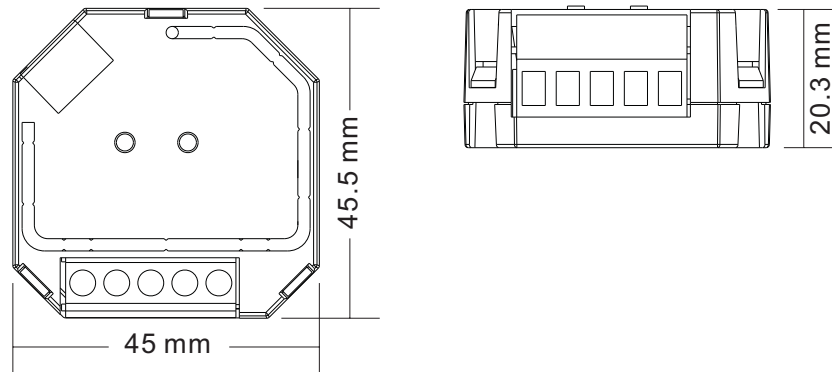


**Important:** Read All Instructions Prior to Installation

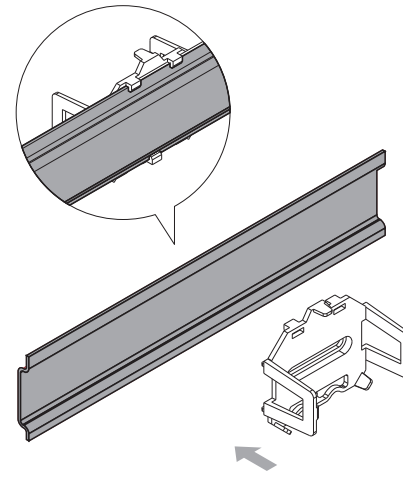
## Function introduction



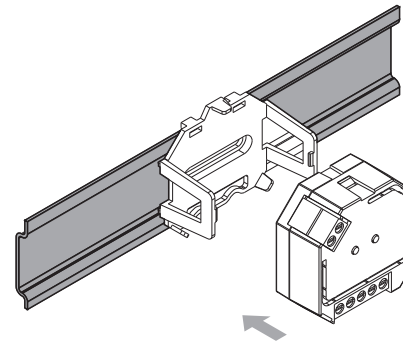
This DIN rail mounting clip is developed to mount the mini in wall module on a 35mm DIN rail. It is applicable to all devices with the casing design as follows:



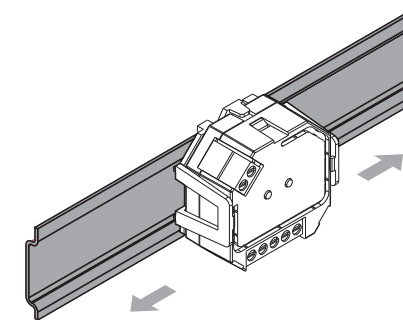
## Installation



**Step 1:** Clip the mounting clip onto DIN rail.



**Step 2:** Install the device onto the mounting clip in the correct direction.



**Step 3:** The device can slide freely on the DIN rail.