

BRUKSANVISNING
INSTRUCTION MANUAL

VARMEOVN / FROSTVAKT 500W



220-240V~,50-60Hz IP20

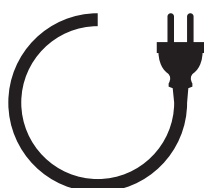


Et velegnet varmeprodukt for å holde garasjer, kjellere, loftsrom, arbeidsbrakker, pumpehus og liknende frostfrie.

A suitable heater to keep garages, basements, attic, huts, pump housings and similar frost-free.

Trinnløs termostat. 500W. Leveres med kabel og plugg. 1-fas støpsel

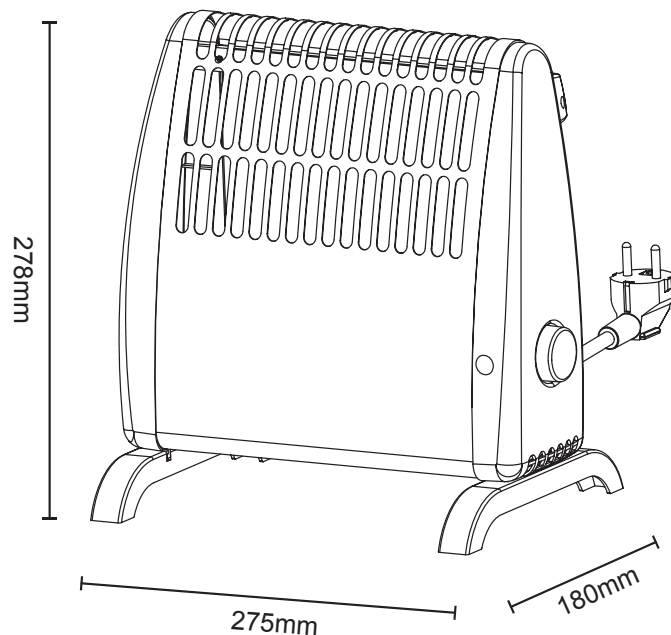
Variable thermostat. 500W. Supplied with cable and plug. 1-phase plug



Effekt: 500W
Spenning: 220-240V~,50-60Hz
Tetthetsgrad: IP20
Inkludert 1,6 m. kabel og 1-fas støpsel.

Effect: 500W
Operating voltage: 220-240V~,50-60Hz
IP Rating: IP20
Included 1.6 m cable and 1-phase plug.

MÅL / MEASURES



SIKKERHET / SAFETY

Må ikke tildekkes, ovnens overflate kan bli svært varm og må plasseres i trygg avstand fra brennbar materiale. Koble fra strømmen ved vedlikehold. Ovn er ikke egnet til bruk i våtrom, i nærheten av vann eller brennbare væsker/gass. Ved bruk av skjøteledning må den være kortest mulig og være utstrakt når ovnen er på. Ikke koble viften til tidsur eller andre apparater som kan slå viften automatisk på.

Do not cover the heater surface, the heater can become very hot and must be placed at a safe distance from flammable material. Disconnect power during maintenance. The heater is not suitable for use in damp locations, near water or flammable liquids/gas. If using an extension cord it must be as short as possible and be extended when the oven is on. Do not connect the fan to a timer or other devices that can turn the fan on automatically.

Information requirement for the electric local space heaters

Model identifier(s):CH500/5401315					
Item	Symbol	Value	Unit	Item	Unit
Heat output				Type of heat input, for electric storage local space heaters only (select one)	
Nominal heat output	P _{nom}	0.5	kW	manual heat charge control, with integrated thermostat	No
Minimum heat output (indicative)	P _{min}	0.5	kW	manual heat charge control with room and/or outdoor temperature feedback	No
Maximum continuous heat output	P _{max,c}	0.5	kW	electronic heat charge control with room and/or outdoor temperature feedback	No
Auxiliary electricity consumption				fan assisted heat output	No
At nominal heat output	e _{lmax}	N/A	kW	Type of heat output/room temperature control (select one)	
At minimum heat output	e _{lmin}	N/A	kW	single stage heat output and no room temperature control	No
In standby mode	e _{lSB}	0	kW	Two or more manual stages, no room temperature control	No
				with mechanic thermostat room temperature control	Yes
				with electronic room temperature control	No
				electronic room temperature control plus day timer	No
				electronic room temperature control plus week timer	No
				Other control options (multiple selections possible)	
				room temperature control, with presence detection	No
				room temperature control, with open window detection	No
				with distance control option	No
				with adaptive start control	No
				with working time limitation	No
				with black bulb sensor	No
Contact details	NAMRON AS Nedre kalbakkvei 88B N1081 Oslo Norway				

Dette produktet er beregnet for innendørs bruk og kun sporadisk bruk. Ikke som hovedoppva
This product is only suitable for well insulated spaces or occasional use.