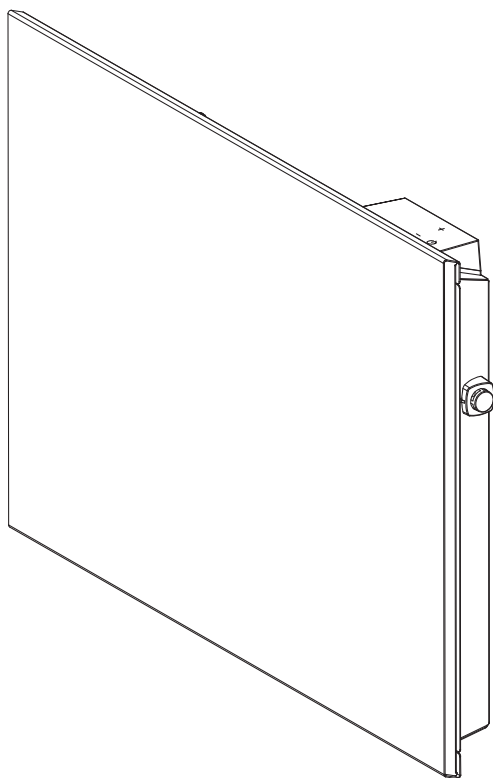


**BRUKSANVISNING  
INSTRUCTION MANUAL**

# **PANELOVN ZIGBEE**

## **400W/600W/800W/1000W**



# PANELOVN ZIGBEE

## 400W/600W/800W/1000W

# namron

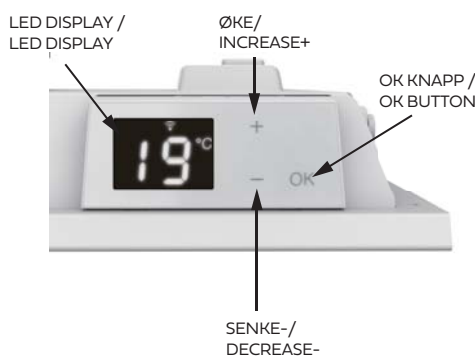
220-240V~ 50-60Hz IP24

IP24     

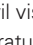
Effekt: 400W/600W/800W/1000W  
Spennning: 220-240V~50-60Hz  
Tetthetsgrad: IP24  
Frekvens: 2405-2480MHz  
Effektnivå: 0,87dBm  
Inkludert 1,6 m kabel og støpsel.

Effect: 400W/600W/800W/1000W  
Operating voltage: 220-240V~50-60Hz  
IP Rating: IP24  
Frequency: 2405-2480MHz  
Powerlevel: 0.87dBm  
Included 1.6 m cable and plug.


### BRUK / USE



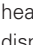
#### BRUK UTEN PROGRAM

1. Sett i kontakten og skru på strømbryteren. Displayet vil nå vise temperaturen.
2. Velge manuell modus ved å trykk på knappen «OK» slik at symbolet MA vises i displayet.
3. Er omgivelsestemperaturen under innstilte temperatur, vil ovnen automatisk starte å avgi varme. Varmeikonet  vil vises i displayet.
4. Trykk "+" eller "-" for å stille inn ønsket temperatur. Temperaturen kan stilles inn mellom 5C og 35C . Standardinnstilling er 19C . Trykk og hold inne "+" eller "-" for å justere temperaturen i høyere hastighet.


#### BRUK MED PROGRAM

1. Sett i kontakten og skru på strømbryteren. Displayet vil nå vise temperaturen.
2. Velge auto modus ved å trykk på knappen «OK» slik at symbolet AU vises i displayet.
3. Trykk og hold inne knappen "OK" i fem sekunder, og ikonet  vil blinke (Se egen brukerveiledning for ZigBee Smarthub).
4. Programinnstillingene gjøres deretter i din Zigbee Smarthub.
5. Ovnens kan skrues av i appen. Etter at ovnen er skrudd av gjennom appen og man ønsker å skru på ovnen fra produktet. Trykk to ganger på strømbryteren, trykk én gang for å gå til Av-modus og trykk igjen for å gå til På-modus.

#### USE WITHOUT PROGRAM

1. Insert the power plug and turn on the power switch. The display will show the temperature.
2. Chose manual mode by pushing the "OK" button until the MA symbol is shown in the display.
3. When the environment temperature is below set temperature, the heater will start automatically. The heating icon  will be shown in the display.
4. Press "+" or "-" to set the desired temperature. The temperature can be adjusted between 5-35C. Factory default setting is 19C . Press and hold "+" or "-" to adjust the temperature in a faster speed.

#### USE WITH PROGRAM

1. Insert the power plug and turn on the power switch. The display will show the temperature.
2. Chose auto mode by pushing the "OK" button until the AU symbol is shown in the display.
3. Press and hold "OK" for 5 seconds, and the icon  will flash. (Refer to Zigbee IM of the panel heater for further instructions).
4. Proceed with program settings in your Zigbee Smart hub.
5. The heater could be turned off in the app. After heater is turned off through the app and needs to be turned on from the product. Press the power switch twice, press one time to return the switch to Off mode, press it again to go to On mode, then the heater will be turned on.


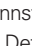
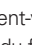

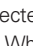
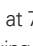


**MÅ IKKE TILDEKkes /  
DO NOT COVER**

#### SIKKERHET / SAFETY

Må ikke tildekkes, ovnens overflate kan bli svært varm og må plasseres i trygg avstand fra brennbart materiale. Koble fra strømmen ved vedlikehold. Ved bruk av skjøteledning må den være kortest mulig og rullet ut når ovnen er på.

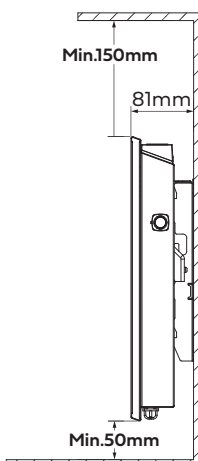
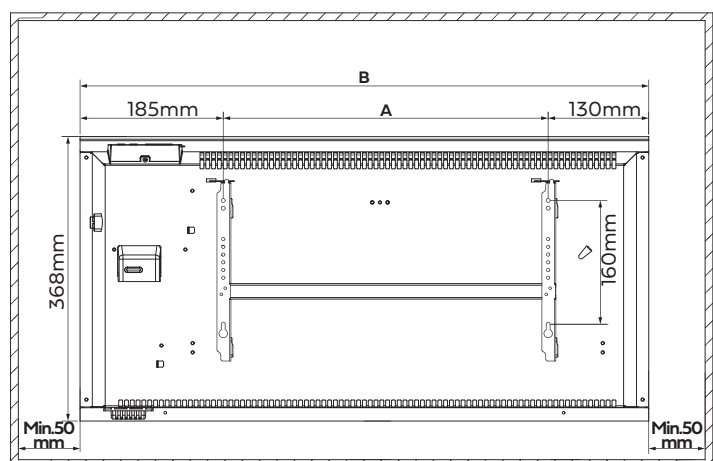
Do not cover the heater surface, the heater can become very hot and must be placed at a safe distance from flammable material. Disconnect power during maintenance. If using an extension cord it must be as short as possible and be extended when the oven is on.

<p><b>Åpent-vindu-funksjon / Open window detection</b></p>	<p>Trykk og hold inne "+" og "OK" i fem sekunder for å gjøre innstillinger i Åpent-vindu-funksjonen. Åpent-vindu-ikonet  vil da blinke. Trykk deretter på "+" / "-" for å velge «Av» eller «På». Trykk "OK" eller vent i fem sekunder uten å trykke på noen knapper for å bekrefte innstillingen.</p> <p>Standardinnstillingen for denne funksjonen er Av. Når funksjonen er aktivert vil Åpent-vindu-ikonet  vises i displayet. Detekterer ovnen et temperaturfall, vil den automatisk gå over i antifrost-modus og operere på 7C mens Åpent-vindu-ikonet  blinker. Om temperaturen stiger vil ovnen gå tilbake til forrige modus med Åpent-vindu-funksjonen på. Du kan også gå tilbake til forrige modus ved å trykke på en vilkårlig knapp. Velg «Av» for å deaktivere Åpent-vindu-funksjonen.</p> <p>Press and hold "+" and "OK" for five seconds to enter the open window detection settings. The open window icon  will be flashing. Then press "+" / "-" to choose «ON» or «OFF». Press "OK" or after five seconds without operating the display, and the setting will be saved. The default factory setting for this function is off.</p> <p>If «ON» is selected, the window detection function is activated and the open window icon  will be visible in the display. When temperature drop is detected, the appliance will automatically enter anti-freeze mode (heater works at 7C, with open window icon  flashing). If temperature rises, the appliance will go back to previous working mode. You can also press any button to go back to previous mode. Choose «OFF» to deactivate the detection function.</p>
<p><b>Minnefunksjon ved strømbrudd / Memory function</b></p>	<p>Ovnen er utstyrt med minnefunksjon. Når strømmen returnerer vil ovnen gå tilbake til samme temperatur som før strømbruddet.</p> <p>The heater has a memory function and will automatically return to the desired temperature after a power cut.</p>
<p><b>Barnesikring / Child Lock</b></p>	<p>Trykk og hold inne "+" og "-" i fem sekunder til "CC" vises i displayet. Barnesikringen er da aktivert. Bruk samme fremgangsmåte for å deaktivere funksjonen. Når ovnen er tilkoblet en smarthub, kan barnesikringen aktiveres/deaktiveres derfra.</p> <p>Press and hold "+" and "-" for five seconds, until "CC" shows on the display. Child lock is now activated. Repeat procedure to deactivate this function. Child lock can also be activated / deactivated in your smart hub.</p>
<p><b>Tilbakestill til standardinnstilling / Reset the thermostat to default</b></p>	<p>Trykk på "+" , "-" og "OK" til "rE" vises i displayet. Ovnen går da tilbake til standardinnstillingen.</p> <p>Press "+" and "-" and "OK" key until display shows "rE", heater will be set back to the factory default setting.</p>
<p><b>Skr Av/På lyset i displayet / Light on /off the display</b></p>	<p>Trykk og hold inne "-" og "OK" i fem sekunder, og displayet vil blinke tre ganger. Etter 30 sekunder vil lyset i displayet skrus av. Skru på lyset i displayet ved å trykke på en hvilken som helst knapp.</p> <p>Press and hold "-" and "OK" for five seconds and the display will flash three times. After 30 seconds without being operated, the displays light will then turn off. Press any key to light it again.</p>
<p><b>Informasjon før førstegangs bruk / Information before first time use</b></p>	<p>Ovnen bør settes på maksimal temperatur i 30 minutter for å brenne elementet rent. Noe lukt kan oppstå når dette gjøres.</p> <p>The heater should be set to maximal temperature for 30 minutes to burn the element clean. Some smell may occur.</p>

## MONTERING AV OVNE/ASSEMBLY OF THE HEATER

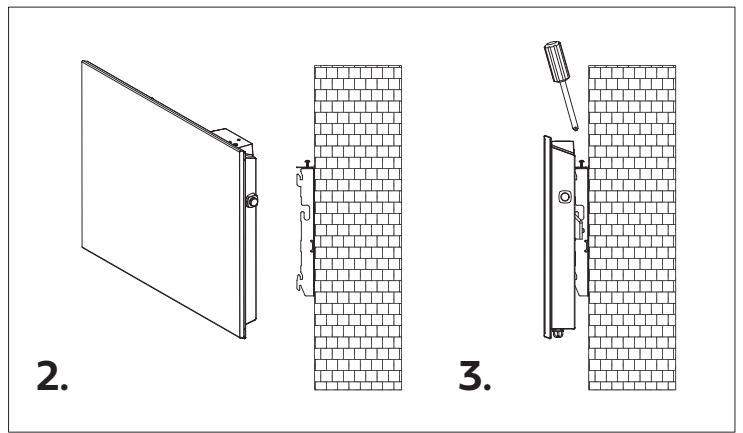
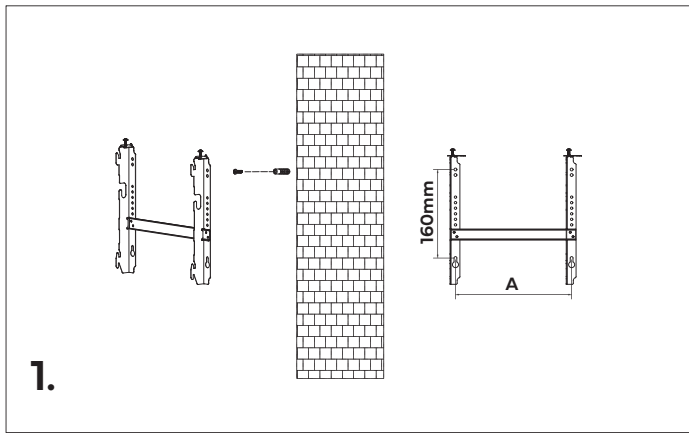
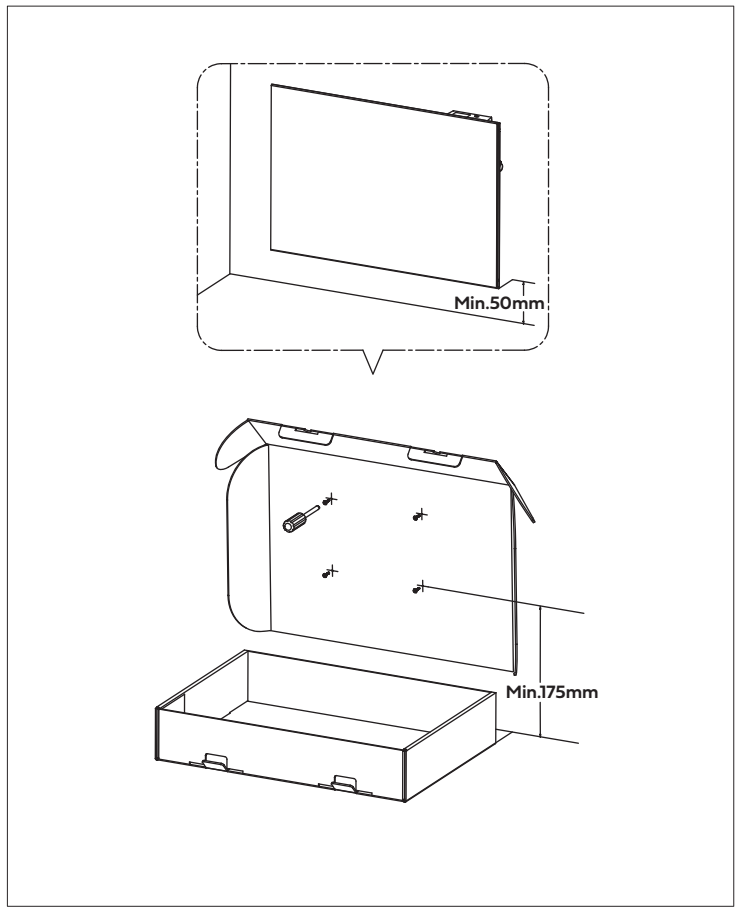
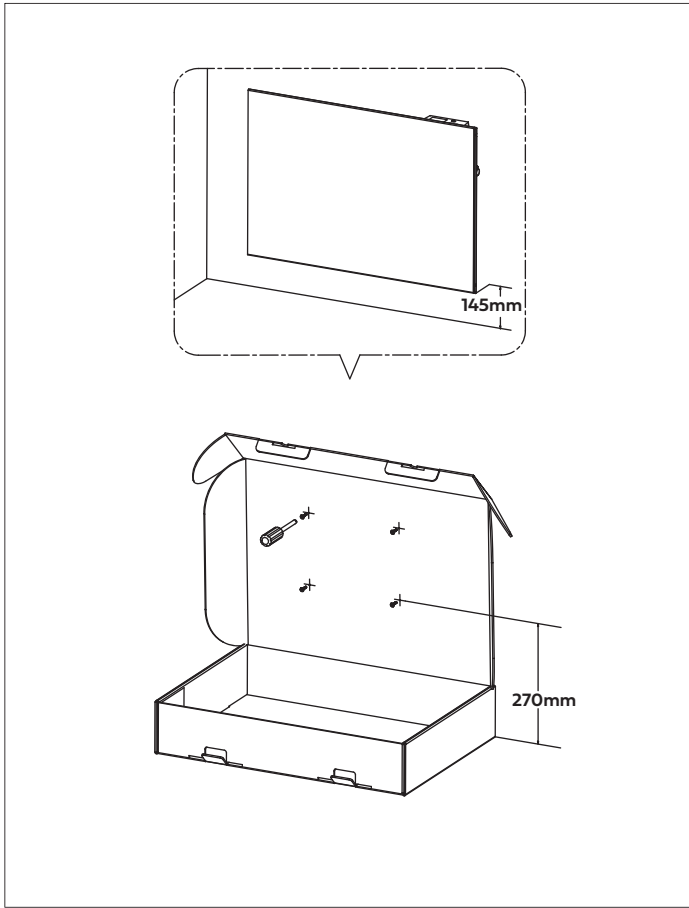
- 1) Bor hull i vegg. Avstand mellom hull: Se skjema (a).
- 2) Skru fast festet på vegg.
- 3) Press ovnen på festet og skru fast.

- 1) Drill holes in the wall. Distance between holes: See the form (a).
- 2) Attach the clips onto the wall.
- 3) Push the heater into the clips and use screws to thighten the clips.



(mm)

Watt	A	B
400W	150	465
600W	210	525
800W	330	645
1000W	420	735



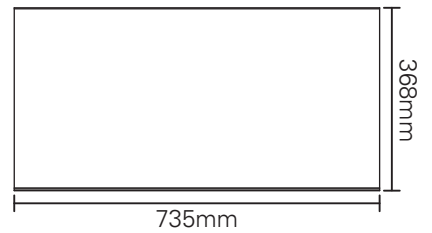
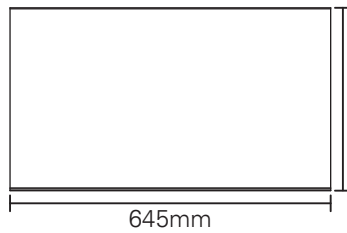
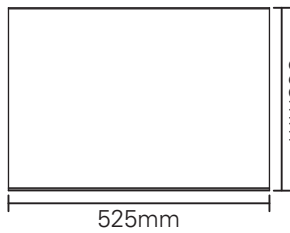
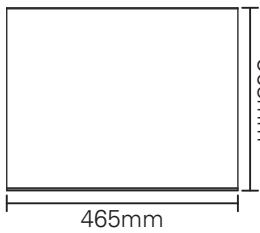
**MÅL / MEASURES**

**400W**

**600W**

**800W**

**1000W**



Model identifier(s): 5401392/5401396					
Item	Symbol	Value	Unit	Item	Unit
<b>Heat output</b>				<b>Type of heat input, for electric storage local space heaters only (select one)</b>	
Nominal heat output	$P_{nom}$	0.4	kW	manual heat charge control, with integrated thermostat	[no]
Minimum heat output (indicative)	$P_{min}$	N/A	kW	manual heat charge control with room and/or outdoor temperature feedback	[no]
Maximum continuous heat output	$P_{max,c}$	0.4	kW	electronic heat charge control with room and/or outdoor temperature feedback	[no]
<b>Auxiliary electricity consumption</b>				fan assisted heat output	[no]
At nominal heat output	$e_{lmax}$	0	kW	<b>Type of heat output/room temperature control (select one)</b>	
At minimum heat output	$e_{lmin}$	0	kW	single stage heat output and no room temperature control	[no]
In standby mode	$e_{lSB}$	0.00088	kW	Two or more manual stages, no room temperature control	[no]
				with mechanic thermostat room temperature control	[no]
				with electronic room temperature control	[no]
				electronic room temperature control plus day timer	[no]
				electronic room temperature control plus week timer	[yes]
				<b>Other control options (multiple selections possible)</b>	
				room temperature control, with presence detection	[no]
				room temperature control, with open window detection	[yes]
				with distance control option	[yes]
				with adaptive start control	[no]
				with working time limitation	[no]
				with black bulb sensor	[no]
Contact details	Namron AS - Nedre Kalbakkvei 88B, N-1081 Oslo - NORWAY				

Model identifier(s): 5401393/5401397					
Item	Symbol	Value	Unit	Item	Unit
<b>Heat output</b>			<b>Type of heat input, for electric storage local space heaters only (select one)</b>		
Nominal heat output	$P_{nom}$	0.6	kW	manual heat charge control, with integrated thermostat	[no]
Minimum heat output (indicative)	$P_{min}$	N/A	kW	manual heat charge control with room and/or outdoor temperature feedback	[no]
Maximum continuous heat output	$P_{max,c}$	0.6	kW	electronic heat charge control with room and/or outdoor temperature feedback	[no]
<b>Auxiliary electricity consumption</b>			fan assisted heat output		
At nominal heat output	$e_{lmax}$	0	kW	<b>Type of heat output/room temperature control (select one)</b>	
At minimum heat output	$e_{lmin}$	0	kW	single stage heat output and no room temperature control	[no]
In standby mode	$e_{lSB}$	0.00088	kW	Two or more manual stages, no room temperature control	[no]
			with mechanic thermostat room temperature control		[no]
			with electronic room temperature control		[no]
			electronic room temperature control plus day timer		[no]
			electronic room temperature control plus week timer		[yes]
			<b>Other control options (multiple selections possible)</b>		
			room temperature control, with presence detection		[no]
			room temperature control, with open window detection		[yes]
			with distance control option		[yes]
			with adaptive start control		[no]
			with working time limitation		[no]
			with black bulb sensor		[no]
Contact details	Namron AS - Nedre Kalbakkvei 88B, N-1081 Oslo - NORWAY				

Model identifier(s): 5401394/5401398					
Item	Symbol	Value	Unit	Item	Unit
<b>Heat output</b>				<b>Type of heat input, for electric storage local space heaters only (select one)</b>	
Nominal heat output	$P_{nom}$	0.8	kW	manual heat charge control, with integrated thermostat	[no]
Minimum heat output (indicative)	$P_{min}$	N/A	kW	manual heat charge control with room and/or outdoor temperature feedback	[no]
Maximum continuous heat output	$P_{max,c}$	0.8	kW	electronic heat charge control with room and/or outdoor temperature feedback	[no]
<b>Auxiliary electricity consumption</b>				fan assisted heat output	[no]
At nominal heat output	$e_{lmax}$	0	kW	<b>Type of heat output/room temperature control (select one)</b>	
At minimum heat output	$e_{lmin}$	0	kW	single stage heat output and no room temperature control	[no]
In standby mode	$e_{lSB}$	0.00088	kW	Two or more manual stages, no room temperature control	[no]
				with mechanic thermostat room temperature control	[no]
				with electronic room temperature control	[no]
				electronic room temperature control plus day timer	[no]
				electronic room temperature control plus week timer	[yes]
				<b>Other control options (multiple selections possible)</b>	
				room temperature control, with presence detection	[no]
				room temperature control, with open window detection	[yes]
				with distance control option	[yes]
				with adaptive start control	[no]
				with working time limitation	[no]
				with black bulb sensor	[no]
Contact details	Namron AS - Nedre Kalbakkvei 88B, N-1081 Oslo - NORWAY				

Model identifier(s): 5401395/5401399					
Item	Symbol	Value	Unit	Item	Unit
<b>Heat output</b>				<b>Type of heat input, for electric storage local space heaters only (select one)</b>	
Nominal heat output	$P_{nom}$	1	kW	manual heat charge control, with integrated thermostat	[no]
Minimum heat output (indicative)	$P_{min}$	N/A	kW	manual heat charge control with room and/or outdoor temperature feedback	[no]
Maximum continuous heat output	$P_{max,c}$	1	kW	electronic heat charge control with room and/or outdoor temperature feedback	[no]
<b>Auxiliary electricity consumption</b>				fan assisted heat output	[no]
At nominal heat output	$e_{lmax}$	0	kW	<b>Type of heat output/room temperature control (select one)</b>	
At minimum heat output	$e_{lmin}$	0	kW	single stage heat output and no room temperature control	[no]
In standby mode	$e_{lSB}$	0.00088	kW	Two or more manual stages, no room temperature control	[no]
				with mechanic thermostat room temperature control	[no]
				with electronic room temperature control	[no]
				electronic room temperature control plus day timer	[no]
				electronic room temperature control plus week timer	[yes]
				<b>Other control options (multiple selections possible)</b>	
				room temperature control, with presence detection	[no]
				room temperature control, with open window detection	[yes]
				with distance control option	[yes]
				with adaptive start control	[no]
				with working time limitation	[no]
				with black bulb sensor	[no]
Contact details	Namron AS - Nedre Kalbakkvei 88B, N-1081 Oslo - NORWAY				