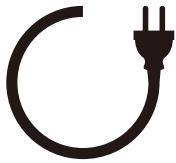


30V-42V IP20

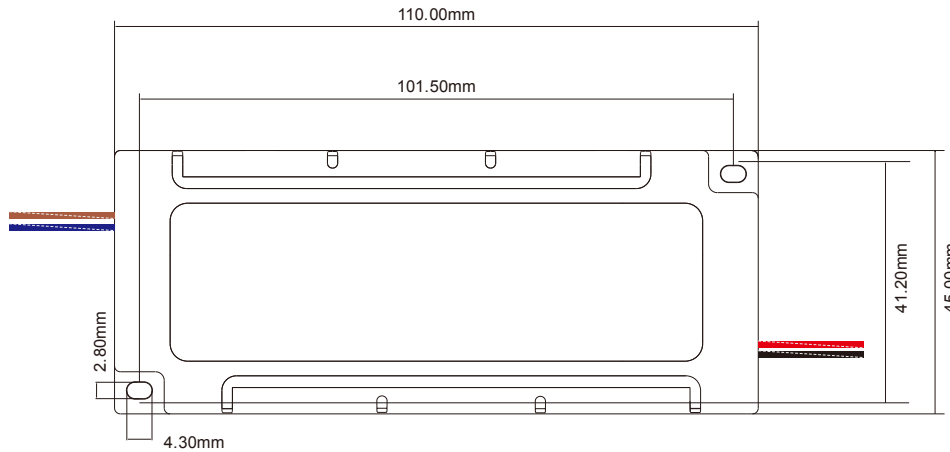
SELV



Input spenning driver : 220-240V~ 50/60Hz  
Output spenning driver: 30-42V 960mA  
Total effekt: 40W  
Dimbar: Ja  
Ta/Tc: 50°C/90°C  
Isolasjonklasse: II  
IP-grad: IP20  
Overbelastningssikring. Overtemperaturbeskyttelse.  
Kortslutningssikring

Input voltage of driver: 220-240V~ 50/60Hz  
Output voltage of driver: 30-42V 960mA  
Total power: 40W  
Dimmable: Yes  
Ta/Tc: 50°C/90°C  
Isolation class: II  
IP: IP20  
Over load protection. Over temperature protection.  
Short-circuit protection

MÅL / MEASURES



KOBLING / WIRING

