

**NAMRON DRIVER TIL LED PANEL**

**30-38W**

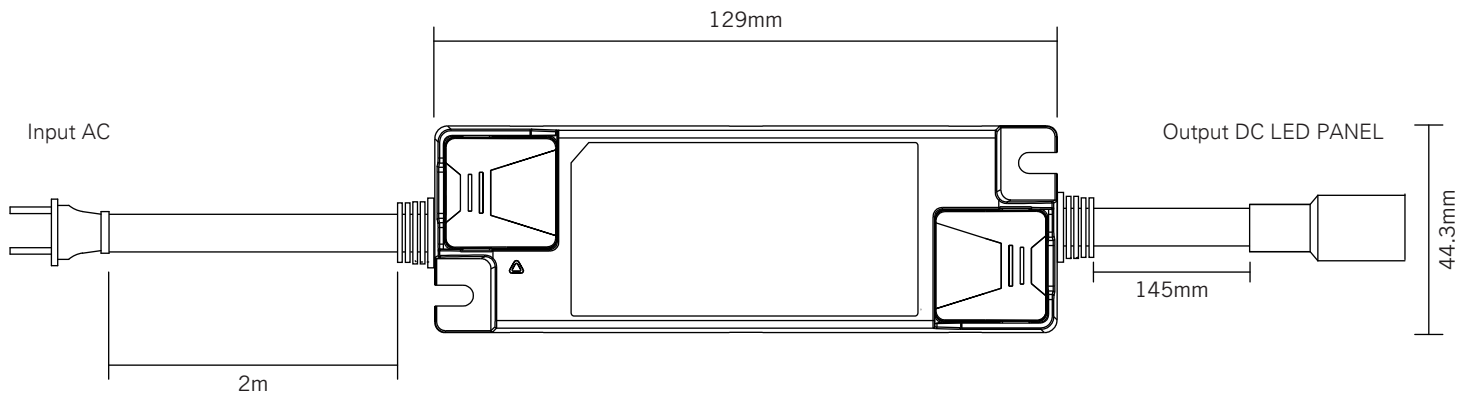
220-240V~50/60Hz IP20

SELV   

Driftsspenning: 220-240VAC 50/60Hz  
 Sekundærspenning: SELV 25-40VDC  
 Effekt: 30-38W  
 Dimbar: Nei  
 Omgivelsestemperatur (Ta): -20 – 45°C  
 Isolasjonsklasse: II  
 Beskyttelsesklasse: IP20  
 Overbelastningssikring.  
 Overtemperaturbeskyttelse.  
 Kortslutningssikring.

Operating voltage: 220-240VAC 50/60Hz  
 Secondary voltage: SELV 25-40VDC  
 Power: 30-38W  
 Dimmable: No  
 Ambient temperature (Ta): -20 – 45°C  
 Isolation class: II  
 Protection class: IP20  
 Overload protection.  
 Overtemperature protection.  
 Short circuit protection.

**MÅL / MEASURES**



Lout	1	2	
750mA	OFF	OFF	30W
800mA	ON	OFF	32W
900mA	OFF	ON	36W
950mA	ON	ON	38W
*Fabrikkinstilling			

**Maksimalt antall pr kurssikring**

B16A 22 stk  
 C16A 36 stk