

Sensor kits

Used in conjunction with 715008 DEFA Balancer

Sensor kits

For optimized dynamic load balancing

Optimizing use of all available power in your installation. The sensor kits enables DEFA Balancer to support different installation setups and monitors power consumption and distributes available power directly to the charging station. Installation instructions of sensors can be found in DEFA Balancer installation manual.

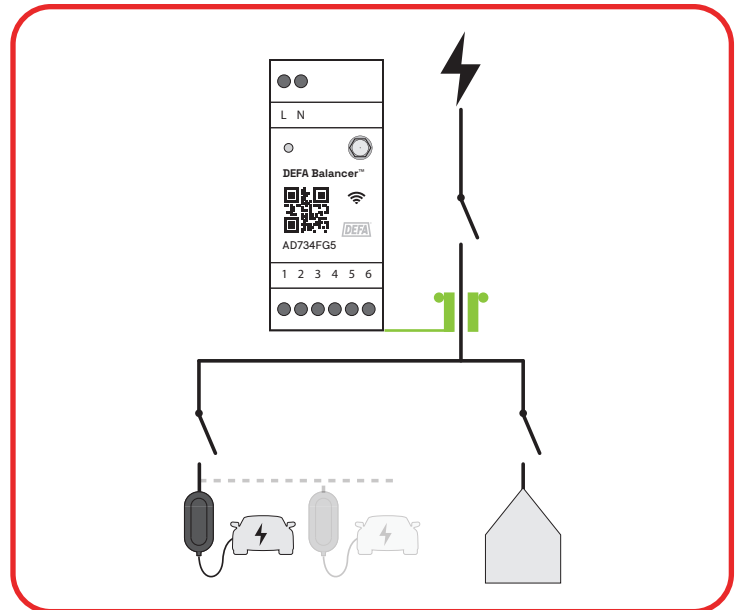
FEATURES:

- Clamp-on type (split core design)
- Simple installation to distribution panels
- Compact size and wide measuring range
- Outstanding output linearity at all current ranges

APPLICATIONS:

To measure or monitor current consumption in smart energy systems using DEFA Balancer:

- DEFA Power Home system
- DEFA Power facility system



PART NUMBER EXPLANATION:

DEFA Sensor Kit CT 3x200A



LIST OF MODEL NUMBER:

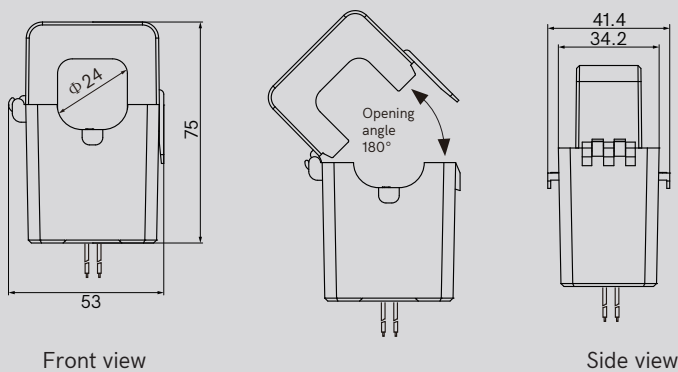
Item number	Item name	Maximum current
717744	DEFA Sensor Kit CT 3x200A	200A
717745	DEFA Sensor Kit CT 3x400A	400A
717747	DEFA Sensor Kit CT 3x800A	800A

Specification

Model	717744	717745	717747
Rated Primary Current	200A	400A	800A
Output Voltage	0,333 VAC		
Accuracy	±1%		
Working Frequency	50Hz-60Hz		
Cable length	100cm		
CT Inside Diameter	ø24mm		ø46mm
Operating temperature	-25°C~+60°C		
Storage temperature	-25°C~+65°C		
Dielectric strength	3500V AC/1min 5mA (secondary/shell)		
Dimension	(53 x 75 x 41.4) mm		(128 x 107 x 26) mm
Weight	215g	228g	460g

Dimensions:

717744, 717745:



717747:

