



CorePro LEDspot LV



CorePro LED spot ND 2.9-20W MR16 827 36D

CorePro LEDspots are a perfect fit for spot lighting and deliver warm halogen-like light. They are compatible with most existing fixtures with MR16 GU5.3 holders and are designed as a retrofit replacement for halogen or incandescent spots. CorePro LEDspots deliver huge energy savings and minimize maintenance cost.

Product data

General information	
Cap-Base	GU5.3 [GU5.3]
EU RoHS compliant	Yes
Nominal Lifetime (Nom)	15000 h
Switching Cycle	50000X
Flux measurement reference	Narrow Cone
Light technical	
Color Code	827 [CCT of 2700K]
Beam Angle (Nom)	36 °
Luminous Flux (Nom)	230 lm
Luminous Intensity (Nom)	560 cd
Color Designation	Warm White (WW)
Correlated Color Temperature (Nom)	2700 K
Luminous Efficacy (rated) (Nom)	79.00 lm/W
Color Consistency	<6
Color Rendering Index (Nom)	80
LLMF At End Of Nominal Lifetime (Nom)	70 %
Luminous Flux in 90° Cone (Rated)	230 lm
Operating and electrical	
Input Frequency	- Hz
Power (Nom)	2.9 W

Lamp Current (Nom)	340 mA
Wattage Equivalent	20 W
Starting Time (Nom)	0.5 s
Warm Up Time to 60% Light (Nom)	0.5 s
Power Factor (Nom)	0.6
Voltage (Nom)	ac electronic 12 V

Temperature	
T-Case Maximum (Nom)	75 °C

Controls and dimming	
Dimmable	No

Mechanical and housing	
Bulb Shape	MR16 [2inch/50mm]

Approval and application	
Energy Efficiency Class	F
Suitable For Accent Lighting	Yes
Energy Consumption kWh/1000 h	3 kWh
EPREL Registration Number	421456

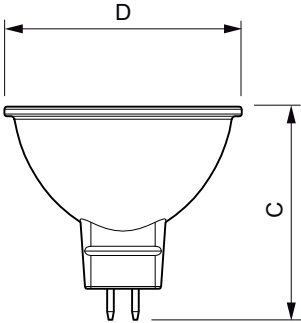
CorePro LEDspot LV

Product data

Full product code	871951430704900
Order product name	CorePro LED spot ND 2.9-20W MR16 827 36D
EAN/UPC - Product	8719514307049
Order code	929002494502
Numerator - Quantity Per Pack	1

Numerator - Packs per outer box	10
Material Nr. (12NC)	929002494502
Net Weight (Piece)	0.045 kg

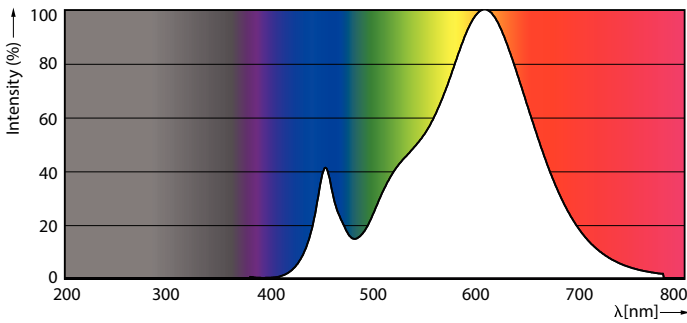
Dimensional drawing



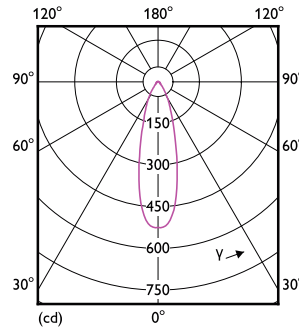
CorePro LED spot ND 2.9-20W MR16 827 36D

Product	D	C
CorePro LED spot ND 2.9-20W MR16 827 36D	50.5 mm	45.5 mm

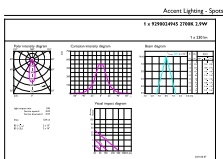
Photometric data



LEDspots Corepro SLR 2 2,9W MR16 GU5,3 827 36D-POC



LEDspots Corepro SLR 2 2,9W MR16 GU5,3 827 36D-LDD



© 2021 Philips Lighting B.V. All rights reserved. Page 11

LEDspots Corepro SLR 2 2,9W MR16 GU5,3 827 36D-ADL

CorePro LEDspot LV

Lifetime



Life Expectancy Diagram

Lumen Maintenance Diagram

