



THE SMALLEST, SMARTEST & THE MOST POWERFUL WI-FI SWITCH FOR YOUR AUTOMATION SOLUTION

The Wi-Fi Relay Switch Shelly 1 OS is intended to be mounted into a standard in-wall console, behind power sockets and light switches in order to control the electric power through it.

USE THE POWER OF MONGOOSE OS TO MAKE YOUR OWN APPLICATION



MAKE YOUR ARDUINO PROJECT LIVE AND USABLE IN YOUR AUTOMATION PROJECT



SHARE YOUR EXPERIENCE WITH DEVELOPERS OVER THE WORLD



USE OUR REST API TO CONNECT SHELLY 1 OS WITH YOUR EXISTING HOME AUTOMATION SYSTEM



Mobile App Control

Turn appliances on/off directly from your smartphone or tablet.



Wi-Fi Connected

Simply connect Shelly to your Wi-Fi network and begin the ultimate experience by controlling your home with your phone.



Home assistant compatible

Control your appliance with your voice. Shelly 1 OS is Google home and Amazon Echo compatible.



Weekly Scheduling

Create custom daily schedules for your devices.



Following the Sunlight

Shelly 1 OS can automatically turn on/off based on the sunrise and sunset hours.



Up To 3500W

With Shelly 1 OS you can control a wide range of devices and appliances.



Free Cloud

All you need to manage your Shelly 1 OS is a smartphone and the Shelly Cloud free mobile application.



Countdown timer

No more forgotten turned on appliances. The integrated countdown timer can automatically switch off your oven after an hour.

TECHNICAL SPECIFICATIONS

Power supply	<ul style="list-style-type: none"> • 110-240V ±10% 50/60Hz AC • 24-60V DC • 12V DC
Max load per channel	16A
Complies with EU standards:	<ul style="list-style-type: none"> • RE Directive 2014/53/EU • LVD 2014/35/EU • EMC 2014/30/EU • RoHS2 2011/65/EU
Working temperature	0°C ÷ 40°C
Radio signal power	1mW
Wireless/WiFi Protocol	802.11 b/g/n (2.4 GHz)
Frequency:	2412 – 2472 MHz
Operational range (depending on local construction)	<ul style="list-style-type: none"> • up to 50 m outdoors • up to 30 m indoors
Dimensions (HxWxL)	41x36x17 mm
Electrical consumption	< 1 W

fig.1 Power supply: 110-240V AC

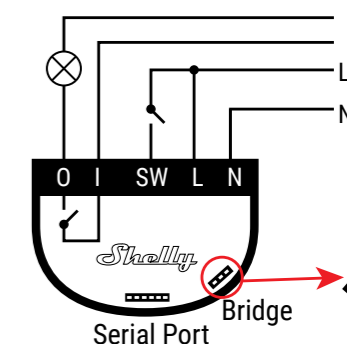
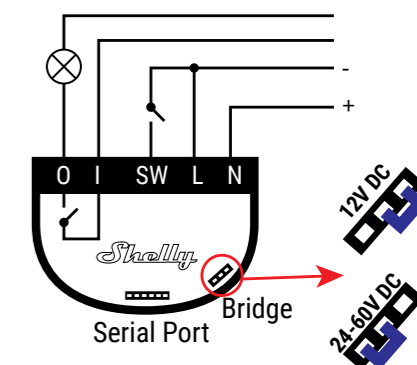


fig.2 Power supply: 12V; 24-60V DC



LEGEND:
 N - Neutral input (Zero)/(+)
 L - Line input (110-230V)/(-)
 O - Output
 I - Input
 SW - Switch (input) controlling O

The WiFi Relay Switch Shelly 1 may control an electrical circuit up to 3.5 kW. It is intended to be mounted into a standard in-wall console, behind power sockets and light switches or other places with limited space. Shelly may work as a standalone Device or as an accessory to a home automation controller.