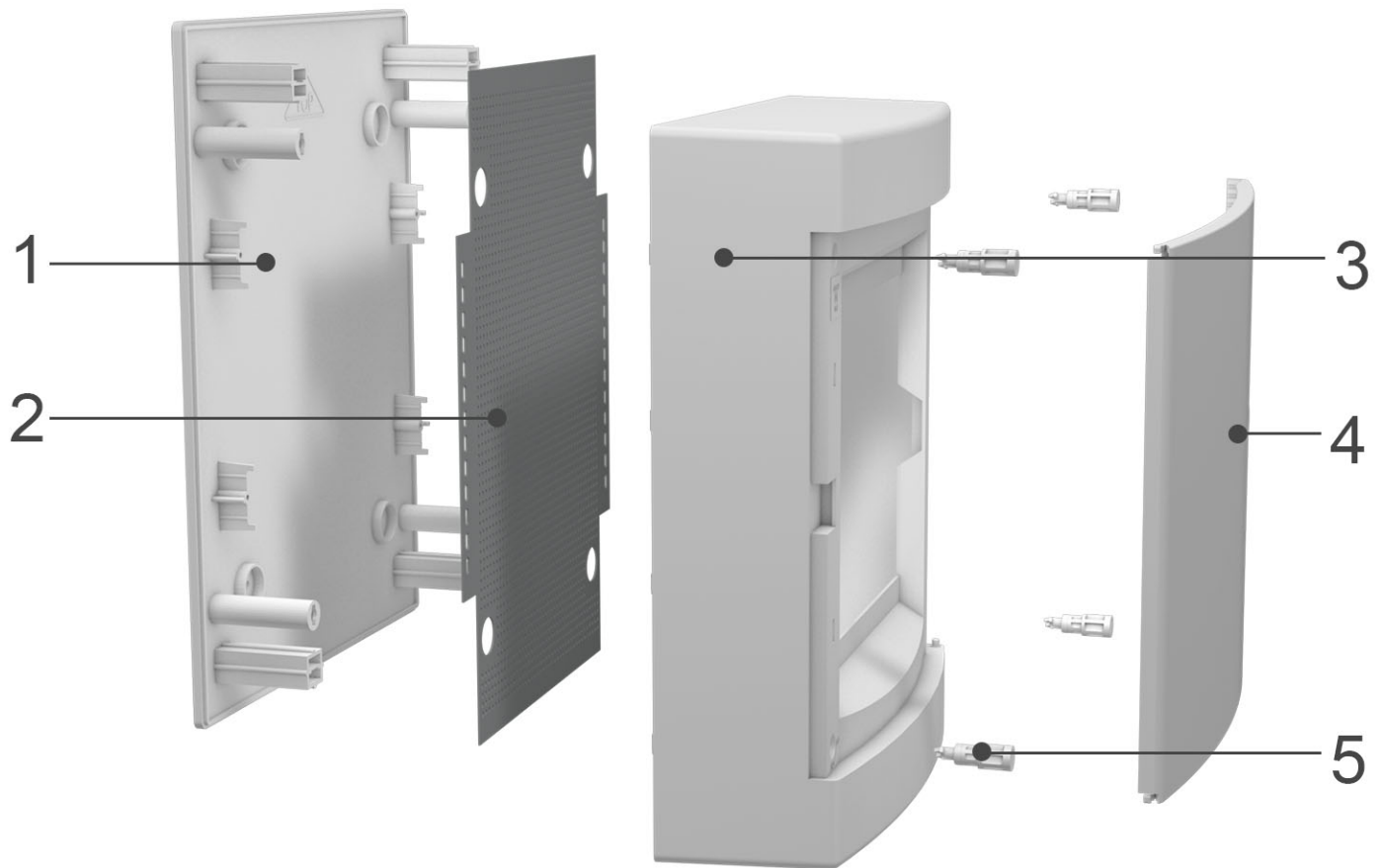


Enclosure series C for IT, IP40 surface mounting

With the upcoming of new technologies, there is an increase in demand for the placement of multimedia equipment into a distribution box. We have customized our standard products to the needs of the demanding users.



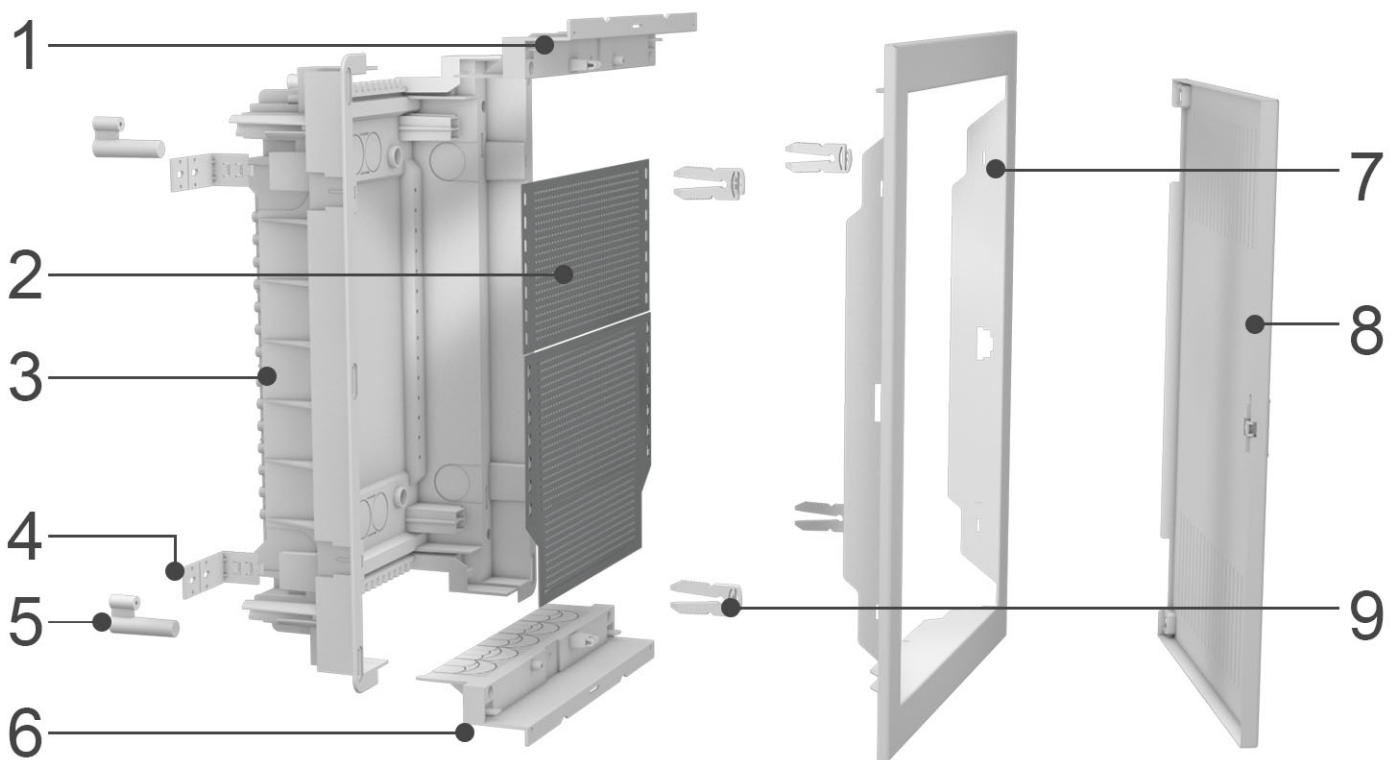
- 1 The base
- 2 Mounting plate
- 3 Front mask
- 4 Door
- 5 Plastic screw

Base Material : ABS , color : RAL 9003
Glow wire test: 650°C
Door material: ABS, color : white
Terminal holder: self-extinguishing material
Glow wire test: 960°C
Temperature: -25°C / +60°C
Nominal voltage: AC 400V
Halogen free: YES

Enclosure series E and F for IT, IP30 flush mounting

Electricity supply and storage of IT equipment with simplicity, functionality, and design. Flush mounting enclosures for IT equipment are completely equipped with all necessary accessories, do not occupy too much space, they are optically discrete and combined with our standard enclosures for energetics equipment, provide a user-friendly, simple and unique solution

Thanks to the special CBH horizontal connectors and CBV vertical connectors, enclosures can be connected side-by-side or one-above-the-other, depending on the user's need and object configuration.

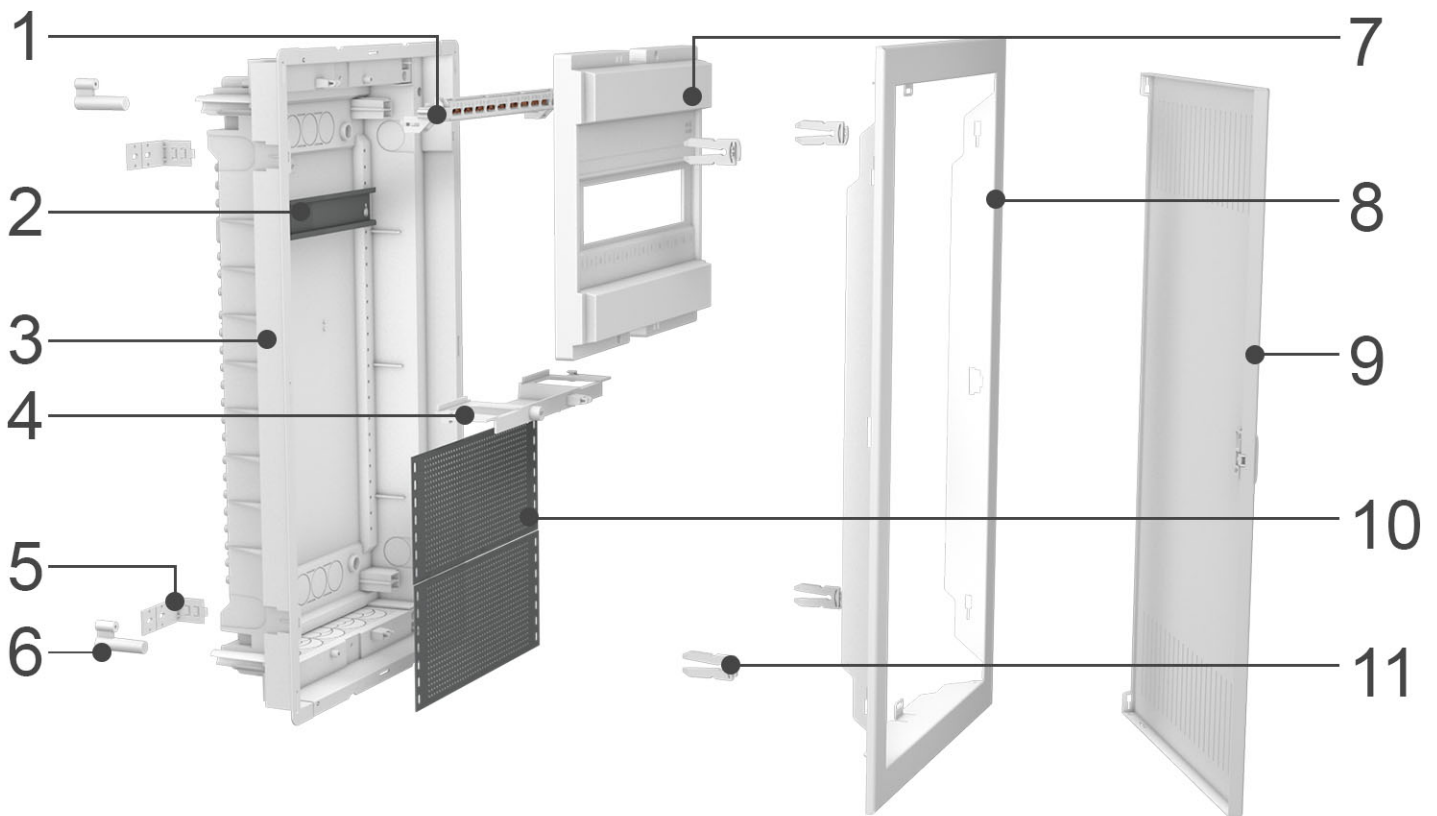


- 1 Removable part
- 2 Mounting plate
- 3 Base
- 4 Standard (brick) wall installation
- 5 Hollow wall (KNAUF) installation
- 6 Removable part
- 7 Frame
- 8 Door
- 9 Plastic screw for mounting between front mask and base

Base Material : ABS , color : RAL 9003
Glow wire test : 650°C / 850°C
Door material: METAL, color : white
Terminal holder: self-extinguishing material
Glow wire test: 960°C
Temperature: -25°C / +60°C
Nominal voltage: AC 400V
Halogen free: YES

Enclosure series COMBO for IT/energetics IP30 flush mounting

Flush mounting enclosures series COMBO combine energetics and IT equipment, with a possibility to be placed all in one product. There are 6 different models, starting from 3-row enclosure containing 1 row for modular equipment and 2 mounting plates for IT equipment, up to 5-rows enclosure containing 3 rows for modular equipment and 2 rows fully covered with mounting plate for IT equipment. This solution saves space and contributes to a greater comfort of housing.



- 1 Isolated terminal
- 2 DIN rail
- 3 Base
- 4 Partition with integrated socket
- 5 Standard (brick) wall instalation
- 6 Hollow wall (KNAUF) instalation
- 7 Front mask
- 8 Frame
- 9 Door
- 10 Mounting plate
- 11 Plastic connector between frame and base

Base Material : ABS , color : RAL 9003
Glow wire test: 650°C / 850°C
Door material: METAL, color : transparent or white
Terminal holder: self-extinguishing material
Glow wire test: 960°C
Temperature: -25°C / +60°C
Nominal voltage: AC 400V
Halogen free: YES

Enclosures series **IT C**



N24CW IT

Type :
IP 40  **In 63A** Dimension:
361 x 287 x 112



N36CW IT

Type :
IP 40  **In 63A** Dimension:
485 x 287 x 112



N48CW IT

Type :
IP 40  **In 63A** Dimension:
653 x 287 x 112



N2x18CW IT

Type :
IP 40  **In 63A** Dimension:
361 x 396 x 112



N3x18CW IT

Type :
IP 40  **In 63A** Dimension:
526 x 396 x 112



N4x18CW IT

Type :
IP 40  **In 63A** Dimension:
655 x 396 x 112

Enclosures series **IT E**



U24E IT

Type:
IP 30  **In 63A**

Dimension:
442 x 346 x 92



U36E IT

Type:
IP 30  **In 63A**

Dimension:
592 x 346 x 92



U48E IT

Type:
IP 30  **In 63A**

Dimension:
717 x 346 x 92



U60E IT

Type:
IP 30  **In 63A**

Dimension:
346 x 842 x 92

Enclosures series **IT F**



U24F IT

Type:
IP 40  **In 63A**

Dimension:
442 x 346 x 92



U36F IT

Type:
IP 40  **In 63A**

Dimension:
592 x 346 x 92

Enclosures series **COMBO**



U36 3/1 E

Type: IP 30  In 63A	Dimension: 592 x 346 x 92	Number of modules: 12+2	No. of PE/N terminals: 2 x 10
---	-------------------------------------	-----------------------------------	---



U48 4/1 E

Type: IP 30  In 63A	Dimension: 717 x 346 x 92	Number of modules: 12+2	No. of PE/N terminals: 2 x 10
--	-------------------------------------	-----------------------------------	---



U48 4/2 E

Type: IP 30  In 63A	Dimension: 717 x 346 x 92	Number of modules: 24+4	No. of PE/N terminals: 2 x 13
---	-------------------------------------	-----------------------------------	---

Enclosures series **COMBO**



U60 5/1 E

Type: IP 30  In 63A	Dimension: 842 x 346 x 92	Number of modules: 12+2	No. of PE/N terminals: 2 x 10
---	-------------------------------------	-----------------------------------	---



U60 5/2 E

Type: IP 30  In 63A	Dimension: 842 x 346 x 92	Number of modules: 24+4	No. of PE/N terminals: 2 x 13
---	-------------------------------------	-----------------------------------	---



U60 5/3 E

Type: IP 30  In 63A	Dimension: 842 x 346 x 92	Number of modules: 36+6	No. of PE/N terminals: 2 x 15
---	-------------------------------------	-----------------------------------	---

Accessories



COVER FOR EMPTY SPACE, PP

**standard accessories for COMBO series*



ISOLATED TERMINAL STANDARD, IS30

**standard accessories for COMBO series*



ISOLATED TERMINAL DOUBLE, IS60

**standard accessories for COMBO series*



ISOLATED TERMINAL , AUSTRALIAN STANDARD, IS30 AU

**standard accessories for COMBO series*



ISOLATED SCREWLESS TERMINAL, IS 3/14 PE/N

**standard accessories for COMBO series*



LOCK WITH KEY, LOCK E/F

**additional accessories*



LOCK WITH KEY, LOCK C

**additional accessories*

Accessories



PARTITION FOR INTEGRATED SOCKET, PWS

**standard accessories for COMBO series*



PATCH PANEL, PP10

**additional accessories*



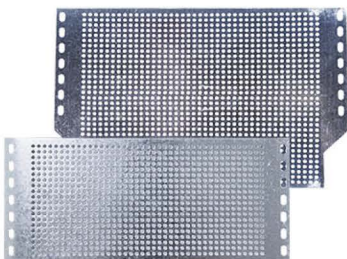
HOLDER FOR WIFI ROUTER, NWF

**additional accessories*



DOUBLE SOCKET, DS 16-250

**additional accessories*



MOUNTING PLATE

**standard accessories*



CONNECTION BRACKET – HORIZONTAL, CB-H

**additional accessories*



CONNECTION BRACKET – VERTICAL, CB-V

**additional accessories*