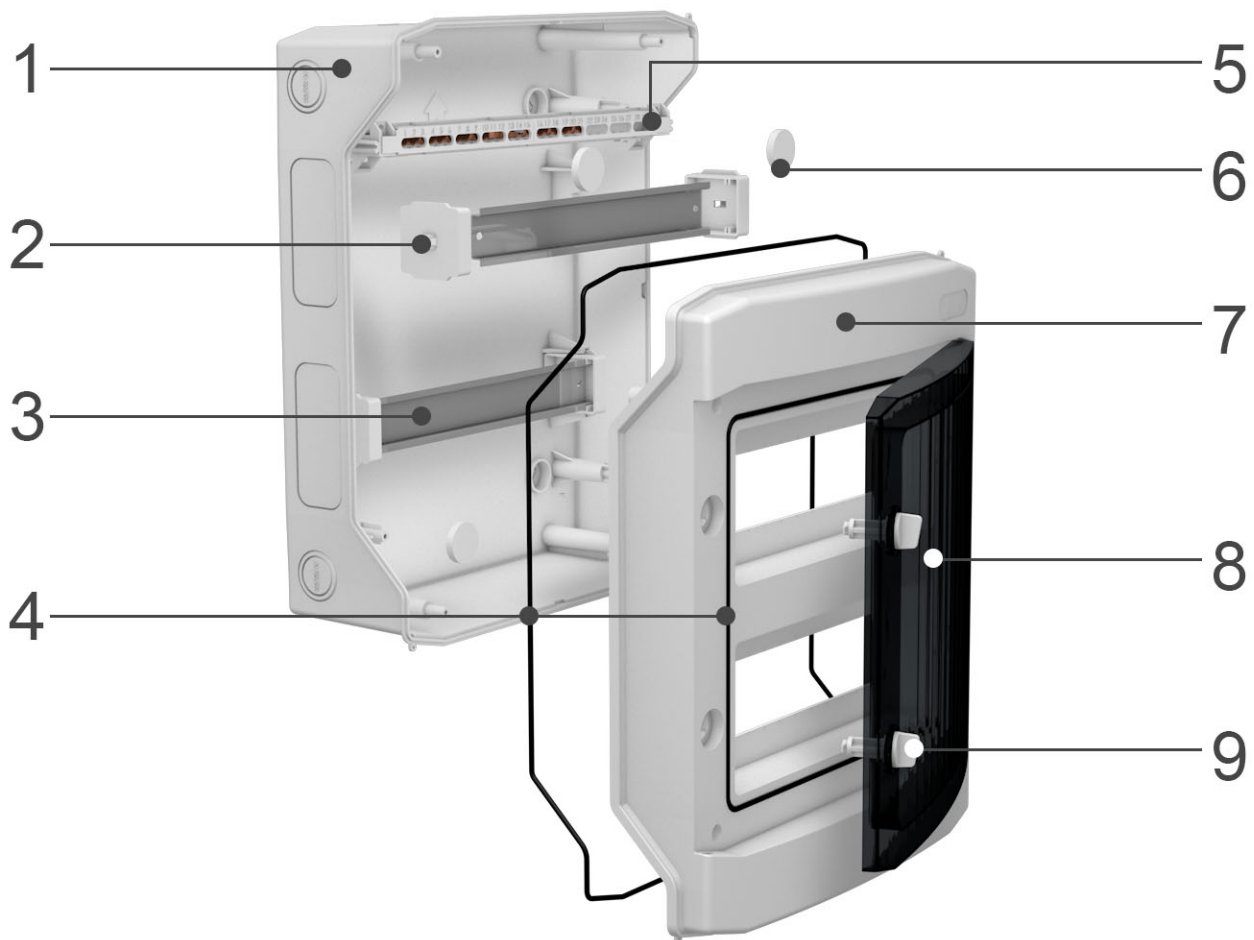


Enclosures IP65 surface mounting

Surface mounting enclosures series D is intended for indoor and outdoor application. Produced by Acrylonitrile Styrene acrylate (ASA), which is 100% UV stable and weather resistant. ASA is also used in the automotive industry for all plastic parts exposed to UV sunlight. Series D is suitable for use in places where we need protection from rain, moisture, water, dust and in areas where condensed moisture results from the temperature difference: Garages, swimming pools, Industrial plants, photovoltaic systems, etc.



- 1 Base
- 2 Adjustable DIN rail holder
- 3 DIN rail
- 4 IP65 protection gasket
- 5 Isolated terminal
- 6 IP65 protection caps
- 7 Front mask
- 8 Door
- 9 Standard Lock

Base Material : ASA , color : RAL 7035
Glow wire test: 650°C
Door material: PC, color : transparent
Terminal holder: self-extinguishing material
Glow wire test : 960°C
Temperature: -25°C / +60°C
Nominal voltage: AC 400V / DC 1000V
According to standard: IEC 60670 / IEC 60228
UV stable: YES
Halogen free: YES

Series D advantages

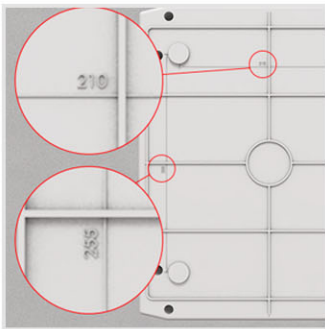
Enclosures are completely equipped with all the necessary accessories. Practical design reduces the cost and time of installation. Produced by Acrylonitrile Styrene acrylate (ASA), that is 100% UV stable and weather resistant, also used in the automotive industry for all plastic parts exposed to UV sunlight.



Adjustable DIN rail holder allows installation of all modular devices, enclosure depth.



SAFE. Possible use of metal lock with key.



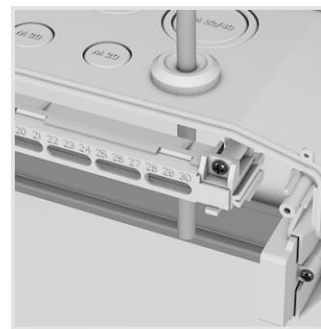
The dimensions necessary for installation are already printed on the product itself.



Fast changing of door position, on the left or on the right side.



IP65 protection caps.



Rubber cable glands contribute fast and safety cable installation with 50% less time. They are much cheaper than standard plastic cable glands.



Protection against theft of electricity by sealing.



Easier access to cables, easier installation (due to curved design).

Enclosures series **D**



N 4 D

Type:	Dimension:	Number of modules:	No. of PE/N terminals:	Pde [W]
IP 65 □ In 63A	201 x 128 x 120	4	2 x 4	10



N 8 D

Type:	Dimension:	Number of modules:	No. of PE/N terminals:	Pde [W]
IP 65 □ In 63A	201 x 202 x 120	8	2 x 8	13



N 12 D

Type:	Dimension:	Number of modules:	No. of PE/N terminals:	Pde [W]
IP 65 □ In 63A	259 x 319 x 144	12	2 x 10	16



N 24 D

Type:	Dimension:	Number of modules:	No. of PE/N terminals:	Pde [W]
IP 65 □ In 63A	384 x 319 x 144	24	2 x 13	24



N 36 D

Type:	Dimension:	Number of modules:	No. of PE/N terminals:	Pde [W]
IP 65 □ In 63A	534 x 319 x 144	36	2 x 15	26



N 48 D

Type:	Dimension:	Number of modules:	No. of PE/N terminals:	Pde [W]
IP 65 □ In 63A	664 x 319 x 141	48	2 x 20	35

Accessories



COVER FOR EMPTY SPACE, PP

**standard accessories*



ISOLATED TERMINAL STANDARD, IS30

**standard accessories*



ISOLATED TERMINAL DOUBLE, IS60

**additional accessories*



ISOLATED TERMINAL , AUSTRALIAN STANDARD, IS30 AU

**additional accessories*



LOCK WITH KEY, LOCK D

**additional accessories*



RUBBER GLANDS

**additional accessories*