

# Insulated universal connector - OTL-series

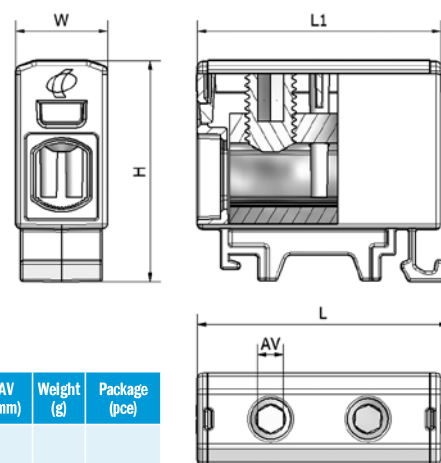


Ouneva OTL-connectors are designed to be used when connecting and branching aluminium and copper cables.

Bodies of the connectors are made of aluminium and plated by tin. Insulating covers are made of plastic.

## OTL-connectors 1xAl/Cu 1,5-50 mm<sup>2</sup>

DIN-rail mounting



STK code	Product code	Color	Conductor (mm <sup>2</sup> )	Un (V)	In (A)	Tightening torque	L (mm)	L1 (mm)	H (mm)	W (mm)	AV (mm)	Weight (g)	Package (pce)
19 141 00	VC05-0010	Grey	1xAl/Cu 1,5-16	1000	82 (Cu)/ 75 (Al)	1,5 Nm (1,5 mm <sup>2</sup> ), 3,5 Nm (2,5-6 mm <sup>2</sup> ), 7 Nm (10-16 mm <sup>2</sup> )	45	42	39,5	13,5	4	17	30
19 141 01	VC05-0001	Blue											
19 141 02	VC05-0045	Yellow/Green											
19 120 10	VC05-0140	Red											
19 120 14	VC05-0141	Black											
19 120 59	VC05-0191	Grey	1xAl/Cu 2,5-35	1000	135 (Cu)/ 120 (Al)	3 Nm (2,5-16 mm <sup>2</sup> ), 6 Nm (25-35 mm <sup>2</sup> )	45	45	40	16	4	27	30
19 120 60	VC05-0192	Blue											
19 120 61	VC05-0193	Yellow/Green											
19 141 03	VC05-0013	Grey	1xAl/Cu 1,5-50	1000	160 (Cu)/ 145 (Al)	1,5 Nm (1,5-2,5 mm <sup>2</sup> ), 5 Nm (4-10 mm <sup>2</sup> ), 10 Nm (16-50 mm <sup>2</sup> )	50	48	43	18	5	31	50
19 141 04	VC05-0046	Blue											30
19 141 05	VC05-0047	Yellow/Green											30
19 120 24	VC05-0142	Red											30
19 120 25	VC05-0143	Black											30

NEW

### Certification and product safety

When choosing electrical connector, always make sure to select reliable and safe, certified connector. The requirements for connectors used with copper conductors inside switchgears and similar appliances are specified in standard EN 60947-7-1:2009. All connectors used inside switchgears or similar appliances must fulfil these requirements.

The requirements for connectors designated to be used with aluminium power cables are specified in standard EN 61238-1:2003. Connectors that have been tested and certified in accordance with standard EN 61238-1:2003 are divided into two classes.

- Class A (short circuit tested) - usage examples: feed-in connections, switchgears/appliances, universal
- Class B (not short circuit tested) - usage limited only to special circuits protected by fast-acting fuses

Ouneva OTL-connectors are tested and certified class A connectors, that are compatible with copper and aluminium conductors.

For choosing safe and reliable connector, always make sure that the terminal is equipped with CE and Class A markings with the symbol of certifying institute, for example FI -mark.